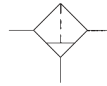


40 bar Filters STANDARD



3

Compressed Air Conditioning

3 standard

Compressed air filters in modular design with condensation drain, manually operated. Filter element of sintered bronze. Body of aluminium (black anodized). Bowl of brass. Test certificate for pressure bowl included.

Technical Data

	I	II	Super
Nominal rates of flow*	2660 NI/min	6000 NI/min	15830 NI/min
Max. operating pressure		40 bar (PN 40)	
Operating temperature		0°C to +90°C	
Effective bowl volume	80 cm ³	100 cm ³	300 cm ³
Mounting position		vertical	
Direction of flow		arrow	
Nominal width	DN 15	DN 20	DN 50
Material			
Seals		NBR	
Housing		aluminium	
Metal bowl		brass	
Filter element		sintered bronze	

* measured at p₁=6 bar and Δp=0,5 bar

40 bar Filters

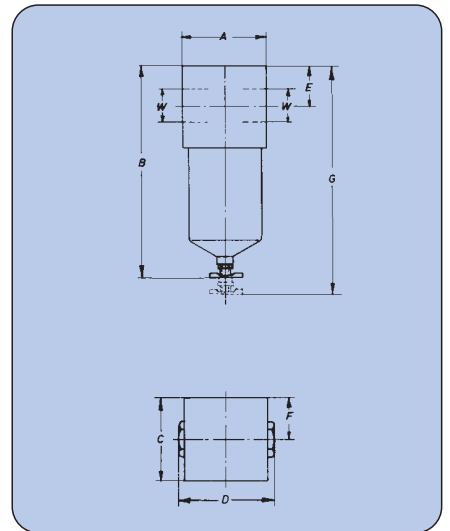
Size	G 3/8	G 1/2	G 3/4	G 1	G 1 1/2	G 2
I	445.015*	445.016	-	-	-	-
II	-	-	445.008*	445.009	-	-
Super	-	-	-	-	454.411*	454.412

Accessories

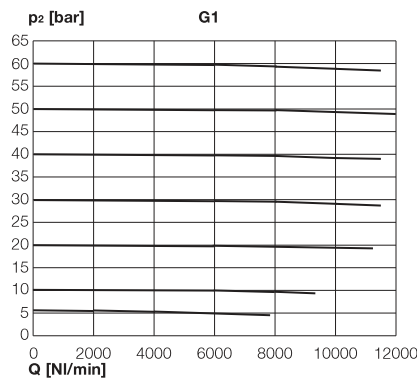
	I	II	Super
Bracket mounting (for housing)	445-39	445-28	429-27

Main spare parts

	I	II	Super
Filter element			
- 40 μm (mounted)	394-16	267-37	454-3
- 5 μm	394-37	298-9	454-11
Double nipple			
- for connection with other units	-	415-14	454-9



Rates of flow



Dimensions [mm]

Size Port	I G 3/8*, G 1/2	II G 3/4*, G 1	Super G 1 1/2*, G 2
A	62	80	140
B	200	210	285
C	62	80	120
D	70 62	92 80	160 140
E	30	45	42,5
F	31	40	70
G**	250	285	350

**Space required to change element.

* Inlet and outlet reduced