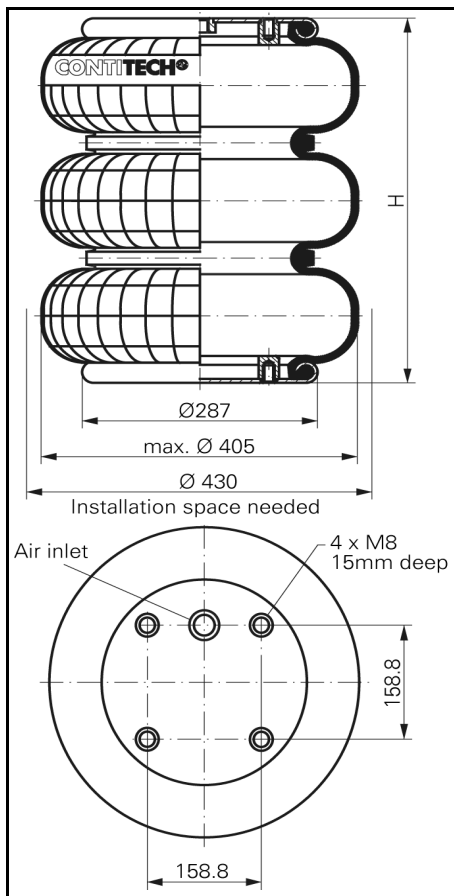
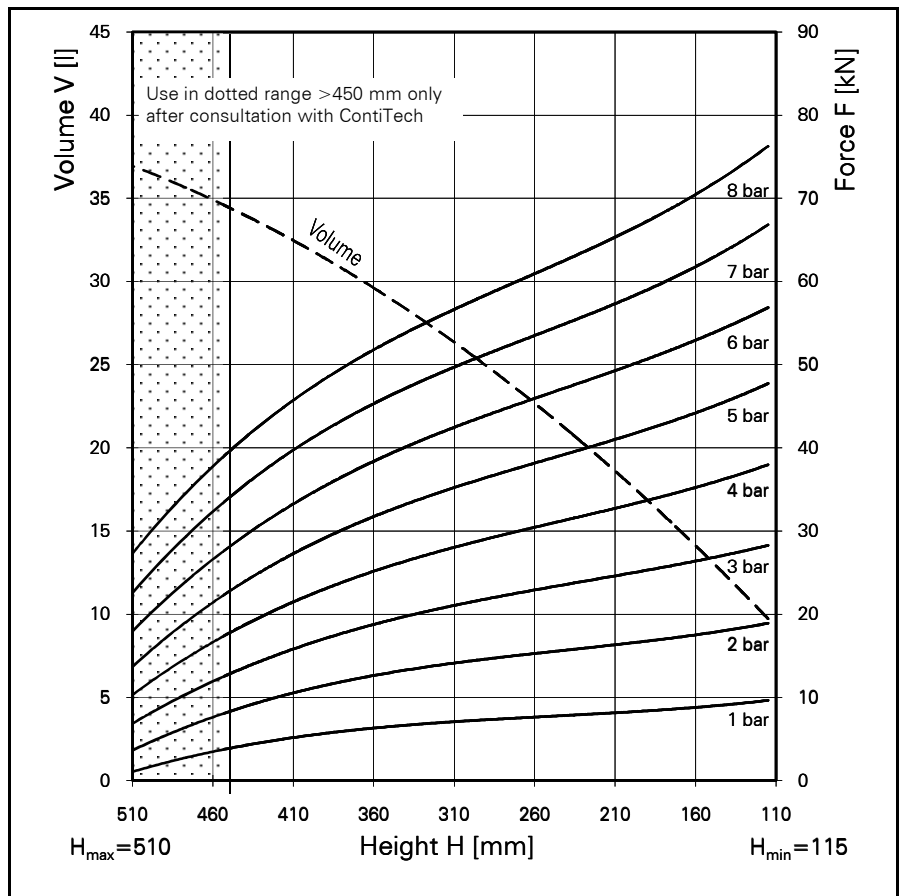


FT 530-35 CI

CONTI® Triple Convolution Air Spring



FT 530-35 CI



Force-height diagram

Purchase order data

Type	Order No.
Rubber bellows only	62854
With clamped plates G 1 air inlet 79.4 mm excentrical	61330
With clamped plates G 1/4 air inlet 79.4 mm excentrical	61366

Technical data

Min. pressure	0 bar
Return force to min. height	≤ 500 N
Overall weight with clamped plates	9.5 kg

Additional types on request

Pneumatic application - static characteristic values

Force F [kN]

Pressure p [bar]	3	4	5	6	7	8	Vol.[l]	
Height H [mm]	380	17.7	23.8	30.0	36.4	42.9	49.1	31.0
	300	21.3	28.4	36.1	43.4	50.7	58.0	25.4
	220	24.3	32.3	40.4	48.5	56.6	64.6	19.4
	140	27.3	36.3	45.4	54.5	63.4	72.0	12.4



Service instructions
 M8 = 25 Nm
 G 1/4 = 25 Nm
 G 1 = 50 Nm

Measuring procedure: Room temperature / Force- height- data quasistatic / Dynamic data at 1 Hz