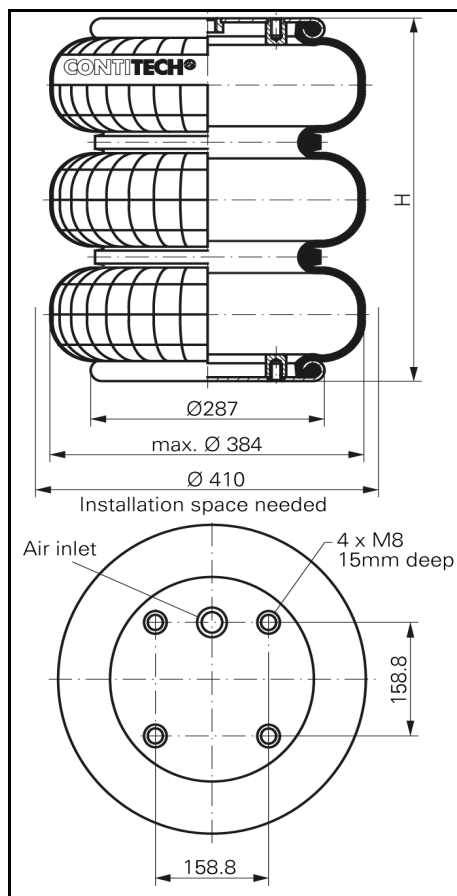
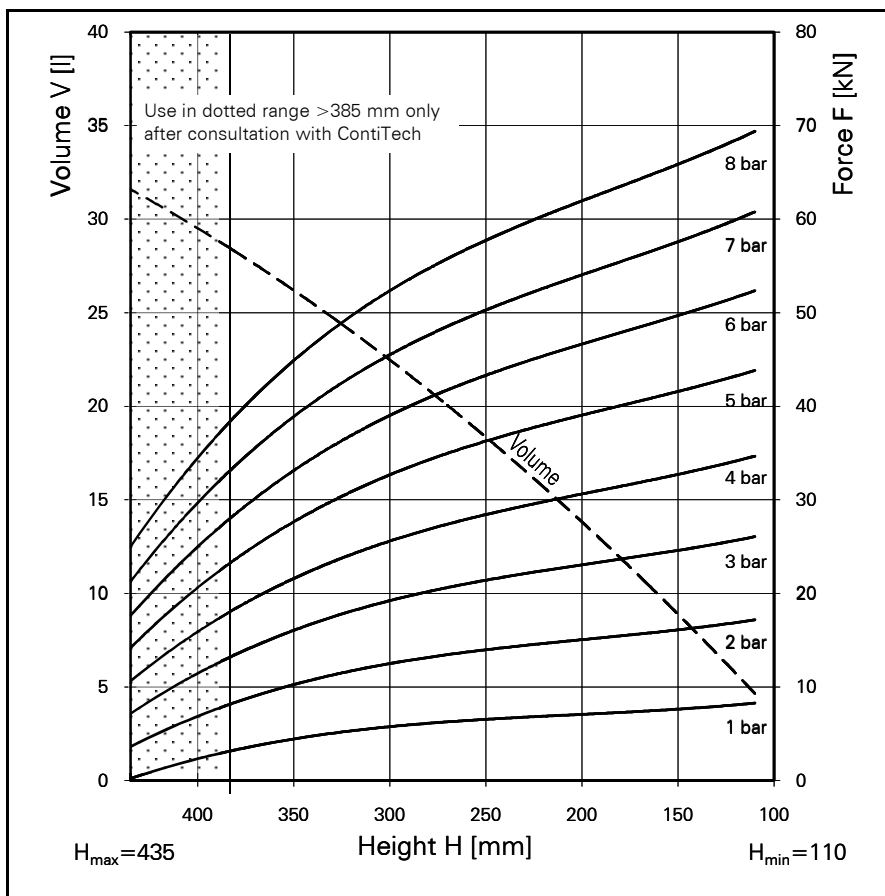


FT 530-32 CI

CONTI® Triple Convolution Air Spring



FT 530-32 CI



Force-height diagram

Purchase order data

Type	Order No.
Rubber bellows only	on request
With clamped plates G 1/4 air inlet 79.4 mm excentrical	60717
With clamped plates G 1 air inlet 79.4 mm excentrical	on request
With stainless steel plates, G 3/4 air inlet 79.4 mm excentrical	on request

Additional types on request



Service instructions  
 M8 = 25 Nm  
 G 1/4 = 25 Nm  
 G 3/4 = 50 Nm  
 G 1 = 50 Nm

Technical data

Min. pressure	0 bar
Return force to min. height	≤ 500 N
Overall weight with clamped plates	8.0 kg

Pneumatic application - static characteristic values

Force F [kN]

Pressure p [bar]	3	4	5	6	7	8	Vol.[l]	
Height H [mm]	360	15.4	20.8	26.6	32.0	37.3	43.2	26.8
	320	18.1	24.1	30.9	37.0	43.1	49.5	24.0
	280	20.2	26.7	34.1	40.8	47.6	54.6	20.9
	240	21.7	28.9	36.9	44.1	51.1	58.8	17.5
	200	23.1	30.6	39.0	46.6	54.0	62.0	14.0
	160	24.4	32.3	41.2	49.1	57.0	65.1	10.0
	120	25.7	34.2	43.4	51.7	60.0	68.5	5.5

Measuring procedure: Room temperature / Force- height- data quasistatic / Dynamic data at 1 Hz

