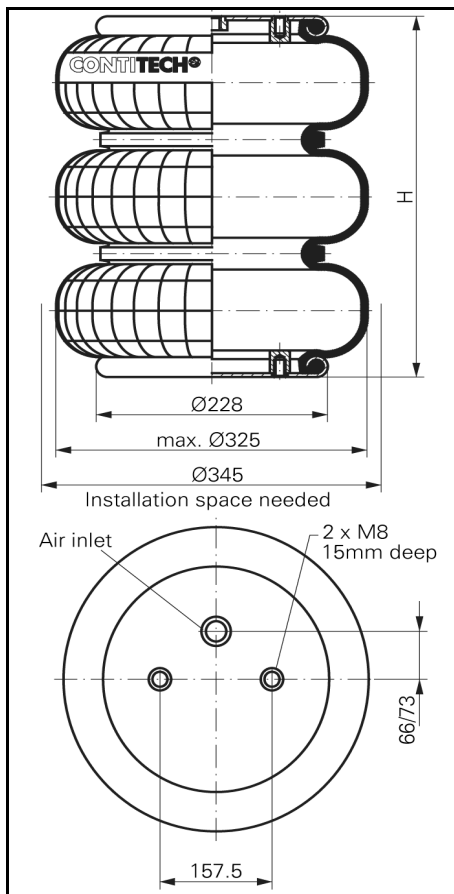
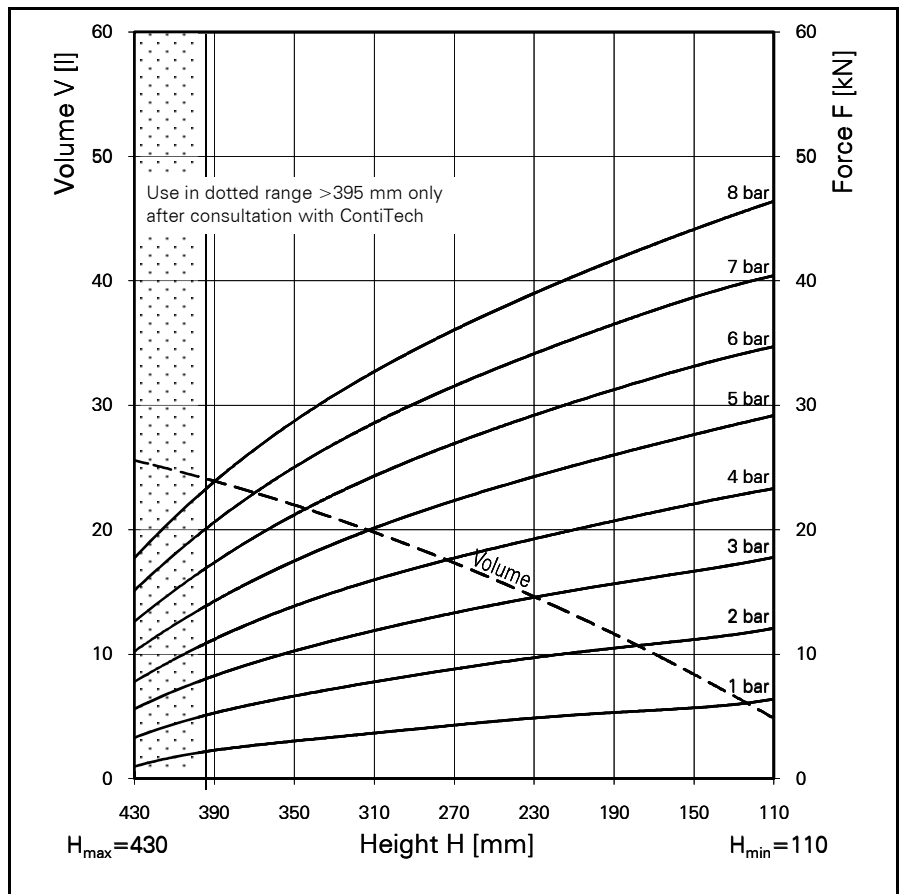


FT 330-29 CI

CONTI® Triple Convolution Air Spring



FT 330-29 CI



Force-height diagram

Purchase order data

Type	Order No.
Rubber bellows only	61833
With clamped plates G 1 air inlet 66 mm excentrical	61830
With clamped plates G 1/4 air inlet 73 mm excentrical	61831
With stainless steel plates, G 3/4 air inlet 73 mm excentrical	on request

Additional types on request



- Service instructions
- M 8 = 25 Nm
  - G 1/4 = 25 Nm
  - G 3/4 = 50 Nm
  - G 1 = 50 Nm

Technical data

Min. pressure	0 bar
Return force to min. height	$\leq 400$ N
Overall weight with clamped plates	5,9 kg

Pneumatic application - static characteristic values

Force  $F$  [kN]

Pressure $p$ [bar]	3	4	5	6	7	8	Vol. [l]	
Height $H$ [mm]	380	8.8	11.9	15.1	18.4	21.7	25.1	23.6
	340	10.7	14.4	18.2	22.0	25.9	29.8	21.6
	300	12.3	16.5	20.8	25.1	29.5	33.7	19.2
	260	13.7	18.2	22.9	27.6	32.3	36.9	16.6
	220	14.8	19.5	24.6	29.6	34.6	39.5	13.8
	180	15.9	21.1	26.5	31.8	37.2	42.4	10.7
	140	17.0	22.4	28.1	33.6	39.1	44.7	7.5

Measuring procedure: Room temperature / Force- height- data quasistatic / Dynamic data at 1 Hz