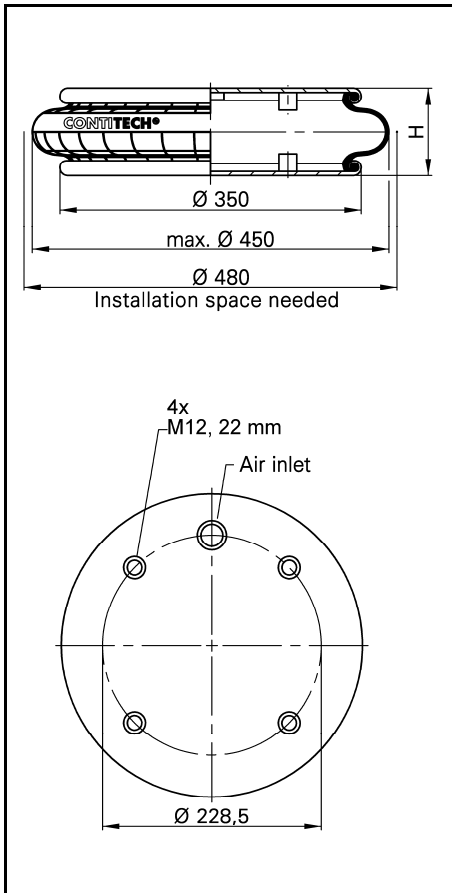
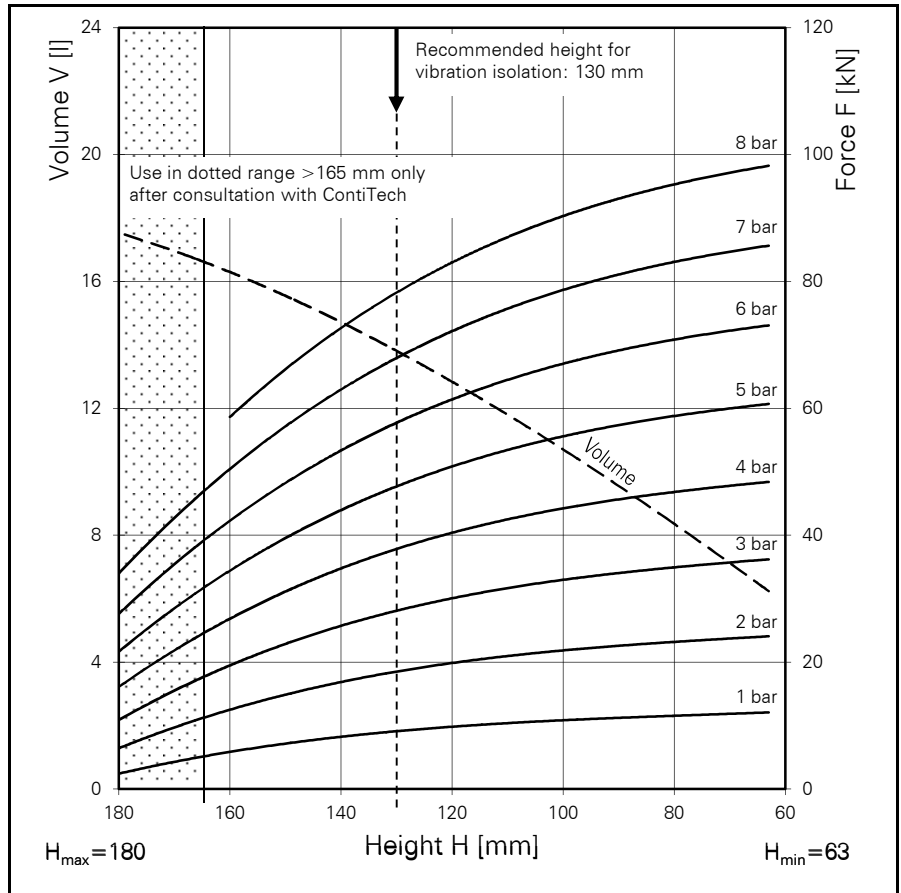


FS 960-12 CI

CONTI® Single Convolution Air Spring



FS 960-12 CI



Force-height diagram

Purchase order data

Type	Order No.
Rubber bellows only	61775
With clamped plates G 3/4 air inlet 114.3 mm excentrical	70085

Additional types on request

Technical data

Min. pressure	0 bar
Return force to min. height	≤ 50 N
Overall weight with clamped plates	12,5 kg

Vibration isolation - dynamic characteristic values

Design height H: recommended 130mm, minimum 115mm

Pressure p [bar]	3	4	5	6	7	8	Vol V [l]
Force (Load) [kN]	28.6	38.3	47.8	57.5	67.2	76.6	
Spring rate [N/cm]	5810	7405	8915	10350	11860	13295	
Natural frequency [Hz]	2.3	2.2	2.2	2.1	2.1	2.1	

Pneumatic application - static characteristic values

Force F [kN]

Pressure p [bar]	3	4	5	6	7	8	Vol.[l]
Height H [mm]	160	140	120	100	80		
	19.6	25.7	30.0	33.0	35.0		
	26.9	34.8	40.3	44.3	46.9		
	34.5	44.0	50.8	55.6	58.8		
	42.3	53.4	61.3	67.1	70.9		
	50.4	63.0	72.1	78.7	83.1		
	58.6	72.7	82.9	90.4	95.3		



Service instructions
M12 = 75 Nm
G 3/4 = 50 Nm

Measuring procedure: Room temperature / Force- height- data quasistatic / Dynamic data at 1 Hz