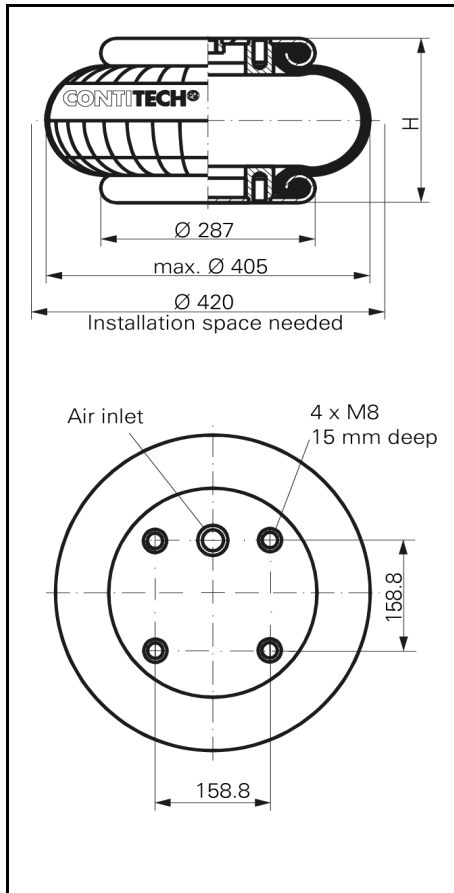
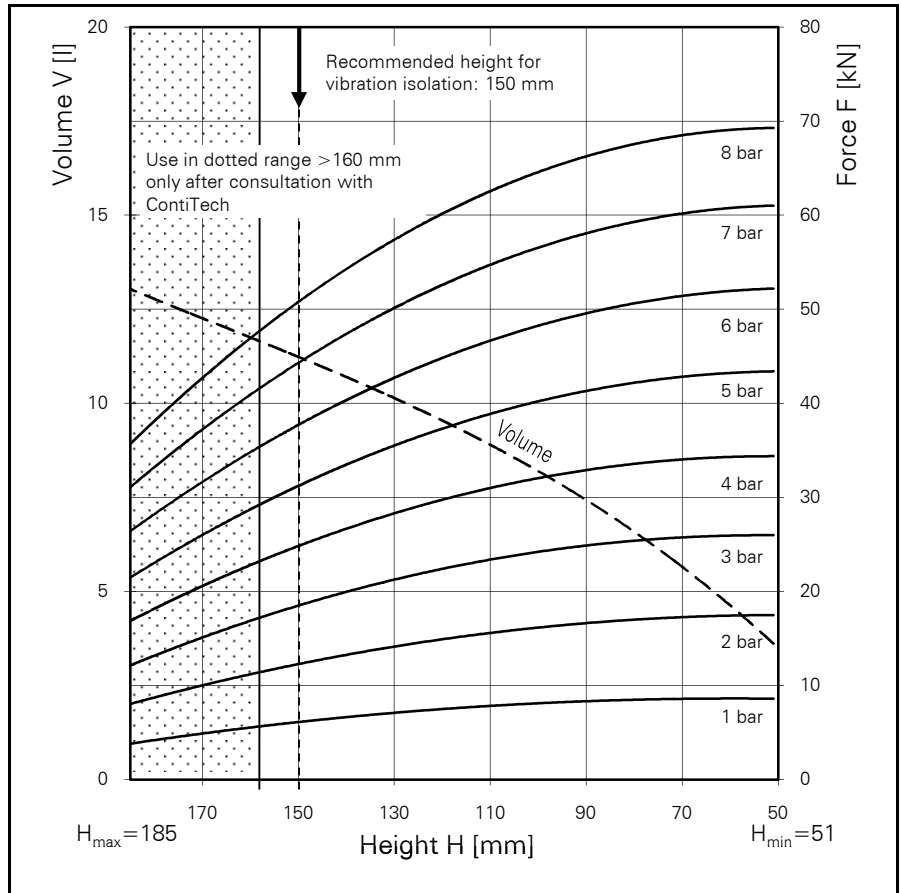


FS 530-14 CI

CONTI® Single Convolution Air Spring



FS 530-14 CI



Force-height diagram

Purchase order data

Type	Order No.
Rubber bellows only	60510
With clamped plates G 1 air inlet 79.4 mm excentrical	60435
With clamped plates G 3/4 air inlet 79.4 mm excentrical	66897
With clamped plates G 1/4 air inlet 79.4 mm excentrical	61360

Additional types on request



Service instructions  
M8 = 25 Nm  
G 1 = 50 Nm  
G 1/4 = 25 Nm

Technical data

Min. pressure	0 bar
Return force to min. height	≤ 300 N
Overall weight with clamped plates	6.1 kg

Vibration isolation - dynamic characteristic values

Design height H: recommended 150mm, minimum 120mm

Pressure p [bar]	3	4	5	6	7	8	Vol. V [l]
Force (Load) [kN]	18.6	24.9	31.5	37.9	44.4	50.8	11.2
Spring rate [N/cm]	3650	4410	5340	6140	7220	7920	
Natural frequency [Hz]	2.2	2.1	2.1	2.0	2.0	2.0	

Pneumatic application - static characteristic values

Force F [kN]

Pressure p [bar]	3	4	5	6	7	8	Vol.[l]	
Height H [mm]	160	17.1	23.0	29.0	35.0	41.2	47.3	11.8
	140	20.0	26.8	33.7	40.6	47.7	54.5	10.7
	120	22.3	29.8	37.3	44.9	52.7	60.2	9.5
	100	24.1	31.9	40.0	48.1	56.3	64.3	8.2
	80	25.3	33.4	41.9	50.3	58.8	67.1	6.6
	60	26.0	34.5	43.4	52.0	60.8	69.1	4.6

Measuring procedure: Room temperature / Force- height- data quasistatic / Dynamic data at 1 Hz