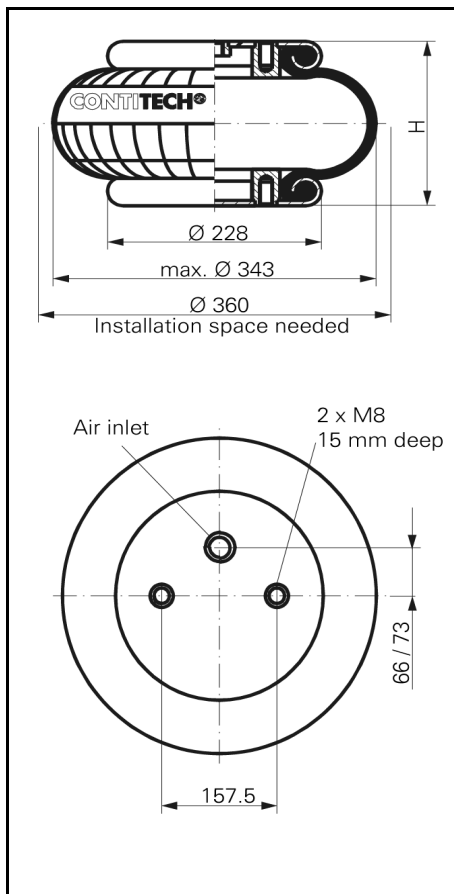
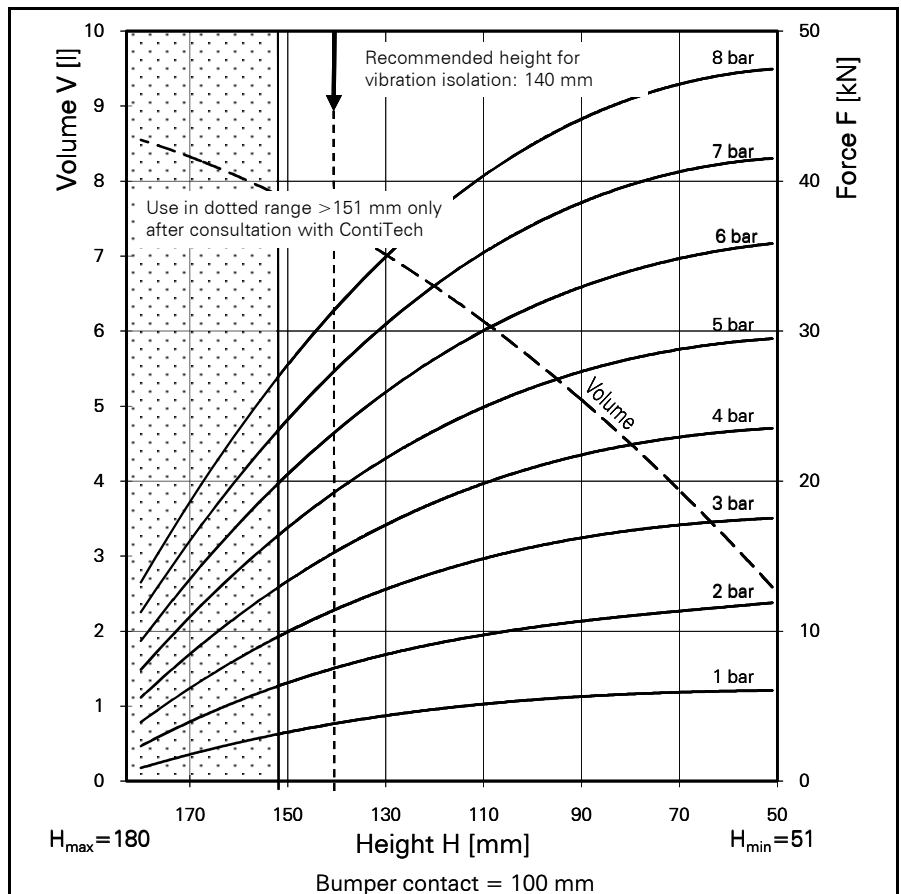


FS 330-14 CI

CONTI® Single Convolution Air Spring



FS 330-14 CI



Force-height diagram

Purchase order data

Type	Order No.
Rubber bellows only	62054
With clamped plates G1 air inlet 66mm excentrical	on request
With clamped plates G3/4 air inlet 73mm excentrical	67875
With clamped plates G1/4 air inlet 73mm excentrical	61937
With bumper, clamped plates G1/4 air inlet 73mm excentrical	on request

Additional types on request



- Service instructions
- M 8 = 25 Nm
- G 1 = 50 Nm
- G 3/4 = 50 Nm
- G 1/4 = 25 Nm

Technical data

Min. pressure	0 bar
Return force to min. height	≤ 300 N
Overall weight with clamped plates	4.3 kg

Vibration isolation - dynamic characteristic values

Design height H: recommended 140mm, minimum 120mm

Pressure p [bar]	3	4	5	6	7	8	Vol V [l]
Force (Load) [kN]	11.6	15.5	19.5	23.4	27.4	31.2	
Spring rate [N/cm]	2610	3322	4094	4865	5678	6376	
Natural frequency [Hz]	2.4	2.3	2.3	2.3	2.3	2.2	7.5

Pneumatic application - static characteristic values

Force F [kN]

Pressure p [bar]	3	4	5	6	7	8	Vol.[l]
Height H [mm]	151	10.0	13.3	16.8	20.3	24.0	7.8
	130	12.6	17.0	21.4	26.0	30.2	7.1
	110	14.8	19.8	25.0	30.0	35.2	6.1
	90	16.2	21.8	27.4	33.0	38.6	5.0
	70	17.2	23.0	28.8	34.9	40.6	3.9

Measuring procedure: Room temperature / Force- height- data quasistatic / Dynamic data at 1 Hz