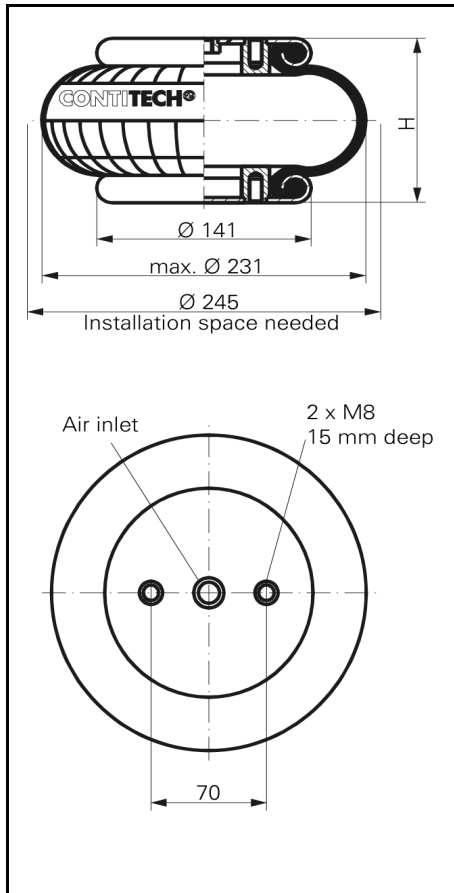
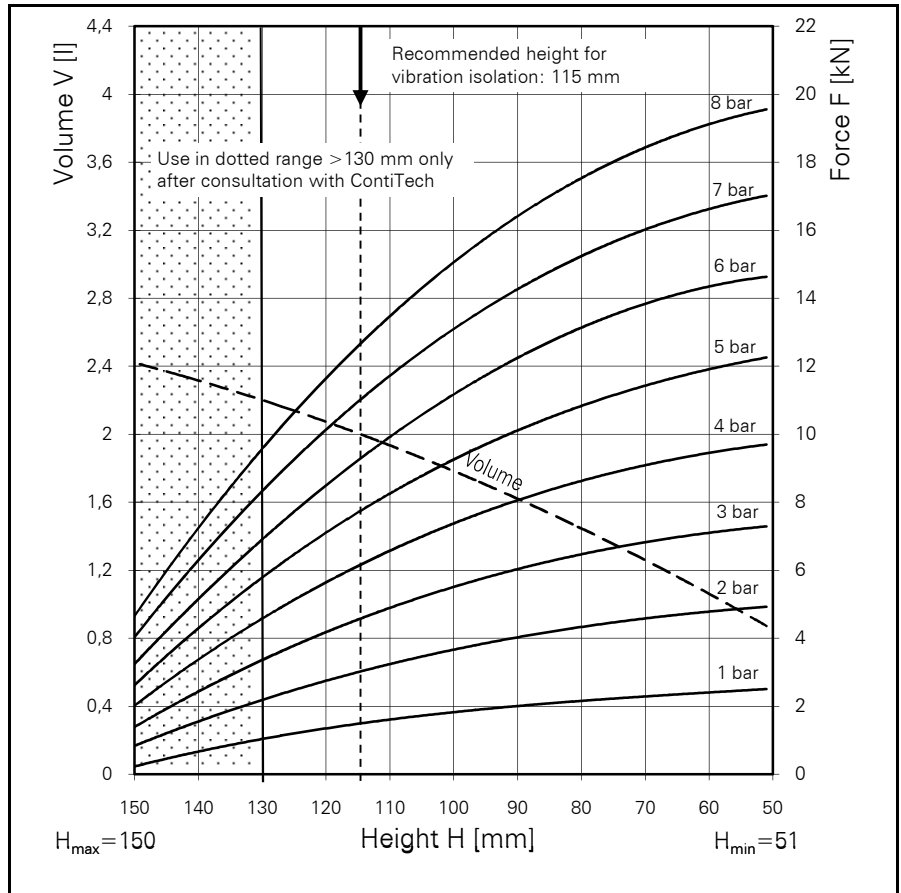


FS 120-10 CI

CONTI® Single Convolution Air Spring



FS 120-10 CI



Force-height diagram

Purchase order data

Type	Order No.
Rubber bellows only	62828
With clamped plates G 1/4 air inlet	62404
With clamped plates G 3/4 air inlet	62313

Additional types on request

Technical data

Min. pressure	0 bar
Return force to min. height	≤ 200 N
Overall weight with clamped plates	1.9 kg

Vibration isolation - dynamic characteristic values

Design height H: recommended 115mm, minimum 100mm


Pressure p [bar]	3	4	5	6	7	8	Vol V [l]
Force (Load) [kN]	4.8	6.6	8.2	9.9	11.6	13.3	
Spring rate [N/cm]	1320	1700	2090	2420	2770	3160	
Natural frequency [Hz]	2.7	2.7	2.6	2.6	2.5	2.5	

Pneumatic application - static characteristic values

Force F [kN]

Pressure p [bar]	3	4	5	6	7	8	Vol.[l]	
Height H [mm]	120	4.2	5.6	7.2	8.4	10.2		11.7
	110	4.8	6.6	8.2	9.9	11.6		13.4
	100	5.6	7.4	9.2	11.2	13.1		15.0
	90	6.0	8.0	10.1	12.2	14.2		16.4
	80	6.5	8.6	10.9	13.2	15.3		17.6
	70	6.8	9.2	11.4	13.8	16.1		18.4
	60	7.1	9.4	12.0	14.4	16.6		19.2

Measuring procedure: Room temperature / Force- height- data quasistatic / Dynamic data at 1 Hz

 Service instructions
M 8 = 25 Nm
G 1/4 = 25 Nm