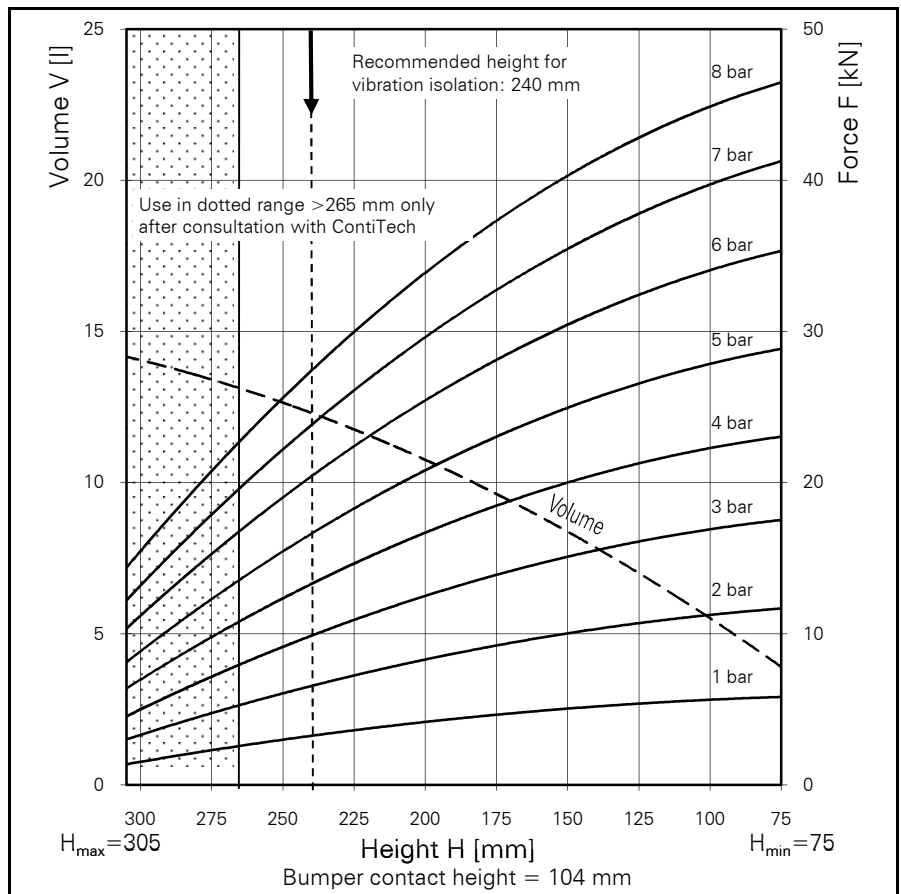
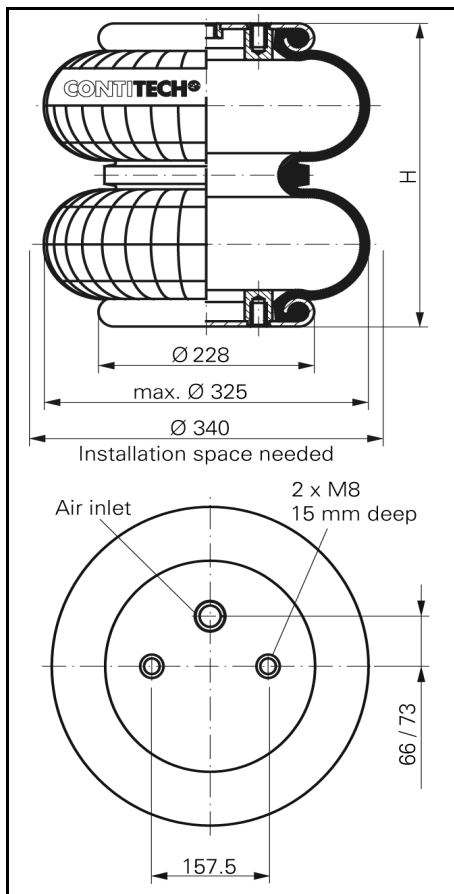


FD 330-22 CI

CONTI® Double Convolution Air Spring



FD 330-22 CI

Force-height diagram

Purchase order data

Technical data

Type	Order No.
Rubber bellows only	60334
With clamped plates G 1 air inlet 66 mm excentrical	2682 060 000
With clamped plates G 1/4 air inlet 73 mm excentrical	60031
With clamped plates G 1/4 air inlet 73 mm excentrical and with bumper	2682 067 000
With stainless steel clamped plates G 1 air inlet 66 mm excentrical	61959

Min. pressure	0 bar
Return force to min. height	≤ 300 N
Overall weight with clamped plates	4.8 kg

Vibration isolation - dynamic characteristic values

Design height H: recommended 240mm, minimum 220mm

Pressure p [bar]	3	4	5	6	7	8	Vol V[l]
Force (Load) [kN]	10.0	13.3	16.7	20.6	24.1	27.6	
Spring rate [N/cm]	1590	1900	2210	2520	2830	3140	
Natural frequency [Hz]	2.0	1.9	1.8	1.8	1.7	1.7	

Pneumatic application - static characteristic values

Force F [kN]

Pressure p [bar]	3	4	5	6	7	8	Vol.[l]	
Height H [mm]	265	8.0	10.8	13.5	16.9	19.7		22.7
	220	11.3	15.2	18.9	23.1	26.9		30.8
	180	13.6	18.2	22.7	27.5	32.0		36.5
	140	15.4	20.5	25.5	31.1	36.3		41.3
	100	16.8	22.1	27.8	34.1	39.8		45.0

Additional types on request



- Service instructions
- M 8 = 25 Nm
- G 1/4 = 25 Nm
- G 1 = 50 Nm

Measuring procedure: Room temperature / Force- height- data quasistatic / Dynamic data at 1 Hz