



Series H8000

Fittings with double tightening

for harsh environments (welding robots, dust, cement, glass, painting plants, etc.)

Series H8000 fittings are designed to be used in particularly dirty and dusty working environments. The patented system with double tightening on the tube guarantees a highly reliable connection and avoids any risk of leakage.

The special shape of the collar prevents the entry of impurities inside the fitting, guaranteeing performance over time, retention of the tube and easy connection and release.

Series H8000 fittings have a brass body, FKM seals for high temperatures (EPDM and NBR seals are also available) and can be used with pressures between -0.9 and 60 bar.

LONG COLLET HERMETICALLY SEALED
AGAINST SCRAPS AND IMPURITIES

CONNECTION AND RELEASE OF THE TUBE
WITH NO NEED OF SPECIAL TOOLS

USE WITH HIGH PRESSURES

SILICONE FREE

SUITABLE FOR USE IN VACUUM APPLICATIONS

ALSO SUITABLE FOR METAL TUBES

TECHNOLOGY

- › Easy assembly and disassembly through release sleeves, even if used several times.
- › The release sleeve can be operated easily even if soiled.
- › No tools necessary.





APPLICATION FIELDS

- > WELDING
- > CUTTING
- > CEMENT PLANT
- > OFF HIGHWAY
- > PAINTING



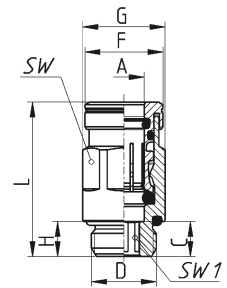
General data

| | |
|------------------|----------------------------------------------------------------------------------------------------------------------------------------------------------------------------|
| Materials | Body: nickel-plated brass Gripper: nickel-plated brass Seals: FKM (EPDM and NBR upon request) |
| Threads | Gas cylindrical ISO-228 (BSP) |
| Working pressure | -0.9 bar ÷ 60 bar. The Series H8000 fittings can withstand a maximum pressure of 60 bar. However, the tube used might affect or limit the operating pressure considerably. |
| Tube to connect | Polyamide (PA) 6 - 11 - 12, PU, Hytel Polyester, PTFE and metal tubes (properly shaped) |
| Diameters | Ø 4, 6, 8, 10, 12, 14, 16 mm |
| Fluid | All fluids compatible with the fitting materials requiring a leak-tight seal, e.g. water. For other fluids, please contact our technicians. |
| Temperature | With FKM seals (standard): -15°C ÷ 200°C (dry air) With EPDM (upon request): -40°C ÷ 110°C With NBR seals (upon request): -20°C ÷ 80°C |

Mod. H851 BSP Male Connector



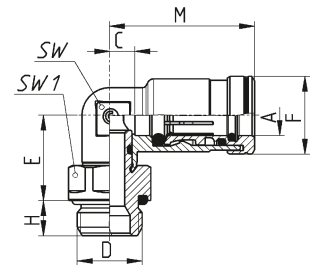
| DIMENSIONS | | | | | | | | | | |
|----------------|----|------|------|------|------|---|------|----|-----|------------|
| Mod. | A | D | C | F | G | H | L | SW | SW1 | Weight (g) |
| H8512 4-1/8-V | 4 | G1/8 | 5 | 10.5 | 13.5 | 6 | 23.5 | 12 | 2.5 | 17 |
| H8512 6-1/8-V | 6 | G1/8 | 5 | 13.5 | 13.5 | 6 | 27 | 12 | 4 | 18 |
| H8512 6-1/4-V | 6 | G1/4 | 6 | 13.5 | 16.4 | 7 | 28 | 15 | 4 | 27.5 |
| H8512 8-1/8-V | 8 | G1/8 | 8.5 | 15.5 | 16.4 | 6 | 32 | 15 | 6 | 23 |
| H8512 8-1/4-V | 8 | G1/4 | 7 | 15.5 | 16.4 | 7 | 31 | 15 | 6 | 27 |
| H8512 8-3/8-V | 8 | G3/8 | 5 | 15.5 | 20.5 | 7 | 29 | 15 | 6 | 42 |
| H8512 10-1/8-V | 10 | G1/8 | 8.5 | 18 | 18.5 | 7 | 35 | 17 | 5 | 33.5 |
| H8512 10-1/4-V | 10 | G1/4 | 10 | 18 | 18.5 | 7 | 36.5 | 17 | 7 | 35.5 |
| H8512 10-3/8-V | 10 | G3/8 | 4.5 | 18 | 20.5 | 7 | 31 | 19 | 8 | 42 |
| H8512 10-1/2-V | 10 | G1/2 | 4.5 | 18 | 24.8 | 8 | 31 | 22 | 8 | 63 |
| H8512 12-1/4-V | 12 | G1/4 | 10.1 | 20 | 20.5 | 7 | 37 | 19 | 7 | 38.5 |
| H8512 12-3/8-V | 12 | G3/8 | 4.6 | 20 | 20.5 | 7 | 32 | 19 | 9 | 35 |
| H8512 12-1/2-V | 12 | G1/2 | 5.6 | 20 | 24.8 | 8 | 33 | 22 | 9 | 56 |
| H8512 14-3/8-V | 14 | G3/8 | 9.9 | 22 | 24.5 | 7 | 38 | 22 | 10 | 54 |
| H8512 14-1/2-V | 14 | G1/2 | 5.4 | 22 | 24.8 | 8 | 34 | 22 | 10 | 53 |
| H8512 16-3/8-V | 16 | G3/8 | 9.8 | 25.5 | 26.5 | 7 | 43 | 24 | 10 | 67 |
| H8512 16-1/2-V | 16 | G1/2 | 10.3 | 25.5 | 26.5 | 8 | 43.5 | 24 | 12 | 78 |



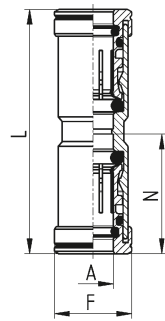
Mod. H8522 BSP Swivel Male Elbow



| DIMENSIONS | | | | | | | | | | |
|----------------|----|------|---|------|------|---|------|----|-----|------------|
| Mod. | A | D | C | E | F | H | M | SW | SW1 | Weight (g) |
| H8522 4-1/8-V | 4 | G1/8 | 3 | 14.5 | 10.5 | 6 | 22 | 9 | 12 | 19.5 |
| H8522 6-1/8-V | 6 | G1/8 | 4 | 15 | 13.5 | 6 | 26 | 10 | 12 | 25 |
| H8522 6-1/4-V | 6 | G1/4 | 4 | 16 | 13.5 | 7 | 26 | 10 | 15 | 31.5 |
| H8522 8-1/8-V | 8 | G1/8 | 5 | 16 | 15.5 | 6 | 29 | 12 | 12 | 30 |
| H8522 8-1/4-V | 8 | G1/4 | 5 | 17 | 15.5 | 7 | 29 | 12 | 15 | 37.5 |
| H8522 8-3/8-V | 8 | G3/8 | 5 | 17 | 15.5 | 7 | 29 | 12 | 19 | 47 |
| H8522 10-1/8-V | 10 | G1/8 | 6 | 19.5 | 18 | 7 | 32.5 | 13 | 14 | 40 |
| H8522 10-1/4-V | 10 | G1/4 | 5 | 19.5 | 18 | 7 | 32.5 | 13 | 15 | 44 |
| H8522 10-3/8-V | 10 | G3/8 | 5 | 19.5 | 18 | 7 | 32.5 | 13 | 19 | 55 |
| H8522 10-1/2-V | 10 | G1/2 | 6 | 19.5 | 18 | 8 | 32.5 | 13 | 22 | 66 |
| H8522 12-1/4-V | 12 | G1/4 | 7 | 20.5 | 20 | 7 | 34 | 15 | 17 | 55 |
| H8522 12-3/8-V | 12 | G3/8 | 7 | 20.5 | 20 | 7 | 34 | 15 | 19 | 60 |
| H8522 12-1/2-V | 12 | G1/2 | 7 | 21.5 | 20 | 8 | 34 | 15 | 22 | 71 |
| H8522 14-3/8-V | 14 | G1/4 | 8 | 21.5 | 22 | 7 | 36 | 17 | 19 | 65.5 |
| H8522 14-1/2-V | 14 | G1/2 | 8 | 22.5 | 22 | 8 | 36 | 17 | 22 | 76.5 |

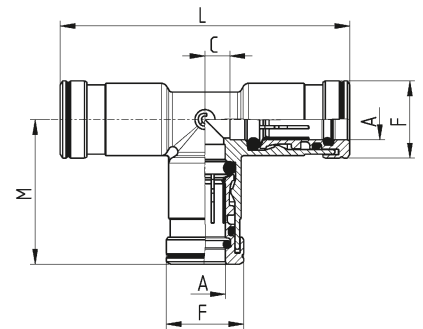


Mod. H8580
Union
Connector



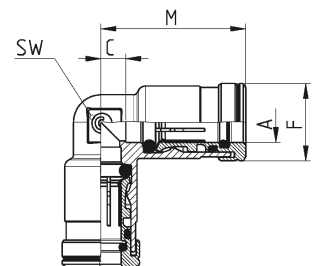
| DIMENSIONS | | | | | | |
|------------|----|------|------|------|------------|--|
| Mod. | A | F | N | L | Weight (g) | |
| H8580 4-V | 4 | 10.5 | 19 | 38 | 18.5 | |
| H8580 6-V | 6 | 13.5 | 22 | 45 | 26.5 | |
| H8580 8-V | 8 | 15.5 | 24 | 49 | 35 | |
| H8580 10-V | 10 | 18 | 26.5 | 54 | 49.5 | |
| H8580 12-V | 12 | 20 | 27 | 55 | 58 | |
| H8580 14-V | 14 | 22 | 28 | 58.5 | 68.5 | |

Mod. H8540
Tee Connector



| DIMENSIONS | | | | | | |
|------------|----|---|------|------|----|------------|
| Mod. | A | C | F | M | L | Weight (g) |
| H8540 4-V | 4 | 3 | 10.5 | 22 | 44 | 28 |
| H8540 6-V | 6 | 4 | 13.5 | 26 | 52 | 43 |
| H8540 8-V | 8 | 5 | 15.5 | 29 | 58 | 55 |
| H8540 10-V | 10 | 6 | 18 | 32.5 | 64 | 78 |
| H8540 12-V | 12 | 7 | 20 | 34 | 67 | 90 |
| H8540 14-V | 14 | 8 | 22 | 36 | 72 | 110 |

Mod. H8550
Elbow
Connector



| DIMENSIONS | | | | | | |
|------------|----|---|------|------|----|------------|
| Mod. | A | C | F | M | SW | Weight (g) |
| H8550 4-V | 4 | 3 | 10.5 | 22 | 9 | 20 |
| H8550 6-V | 6 | 4 | 13.5 | 26 | 10 | 30 |
| H8550 8-V | 8 | 5 | 15.5 | 29 | 12 | 40 |
| H8550 10-V | 10 | 6 | 18 | 32.5 | - | 54 |
| H8550 12-V | 12 | 7 | 20 | 34 | - | 64 |
| H8550 14-V | 14 | 8 | 22 | 36 | - | 79 |