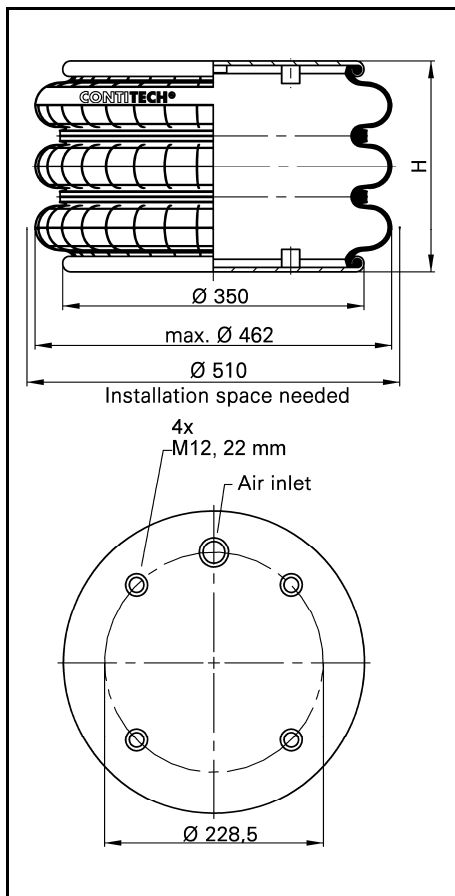
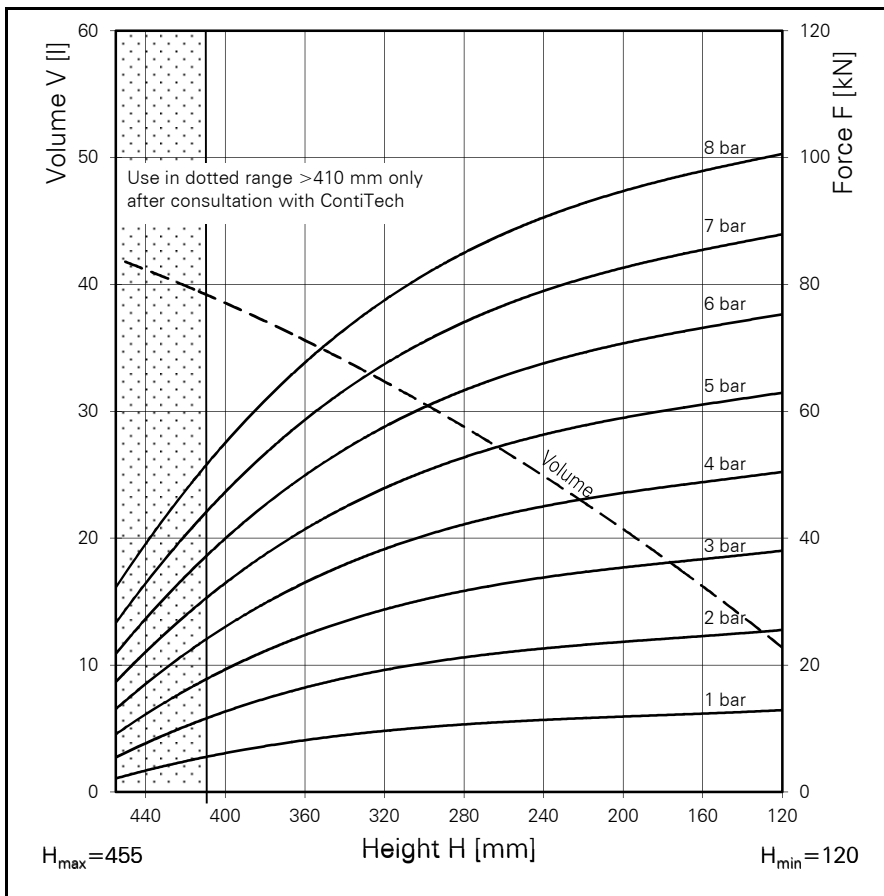


FT 960-34 CI

CONTI® Triple Convolution Air Spring



FT 960-34 CI



Force-height diagram

Purchase order data

Type	Order No.
Rubber bellows only	61777
With clamped plates G 3/4 air inlet 114.3 mm excentrical	70086

Technical data

Min. pressure	0 bar
Return force to min. height	≤ 175 N
Overall weight with clamped plates	15.7 kg

Additional types on request

Pneumatic application - static characteristic values

Force F [kN]

Pressure p [bar]	3	4	5	6	7	8	Vol.[l]	
Height H [mm]	400	19.8	26.6	33.5	40.6	48.0	55.8	39.0
	360	24.8	33.1	41.5	50.1	58.8	67.8	36.1
	320	28.5	38.0	47.6	57.3	67.1	77.2	32.8
	280	31.4	41.8	52.4	62.9	73.6	84.5	28.8
	240	33.8	45.0	56.3	67.5	78.9	90.5	24.5
	200	35.6	47.3	59.1	70.8	82.8	94.9	20.1
	160	37.0	49.2	61.4	73.6	85.9	98.4	15.9

Measuring procedure: Room temperature / Force- height- data quasistatic / Dynamic data at 1 Hz



Service instructions  
M12 = 75 Nm  
G 3/4 = 50 Nm

