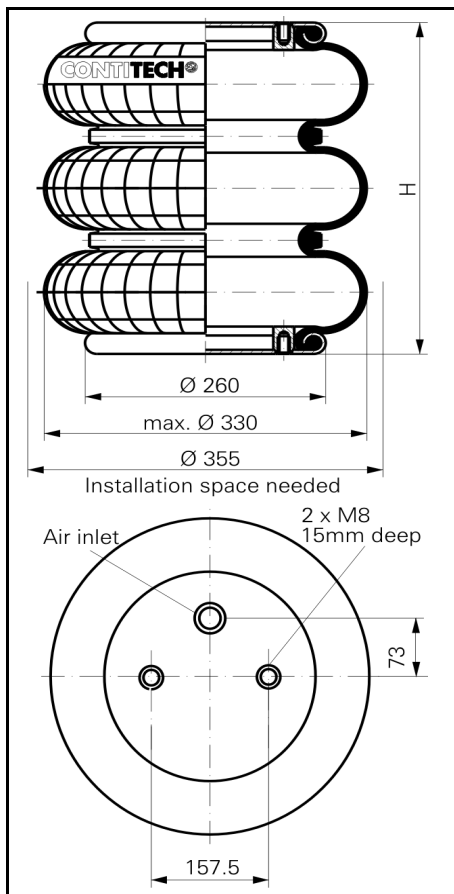
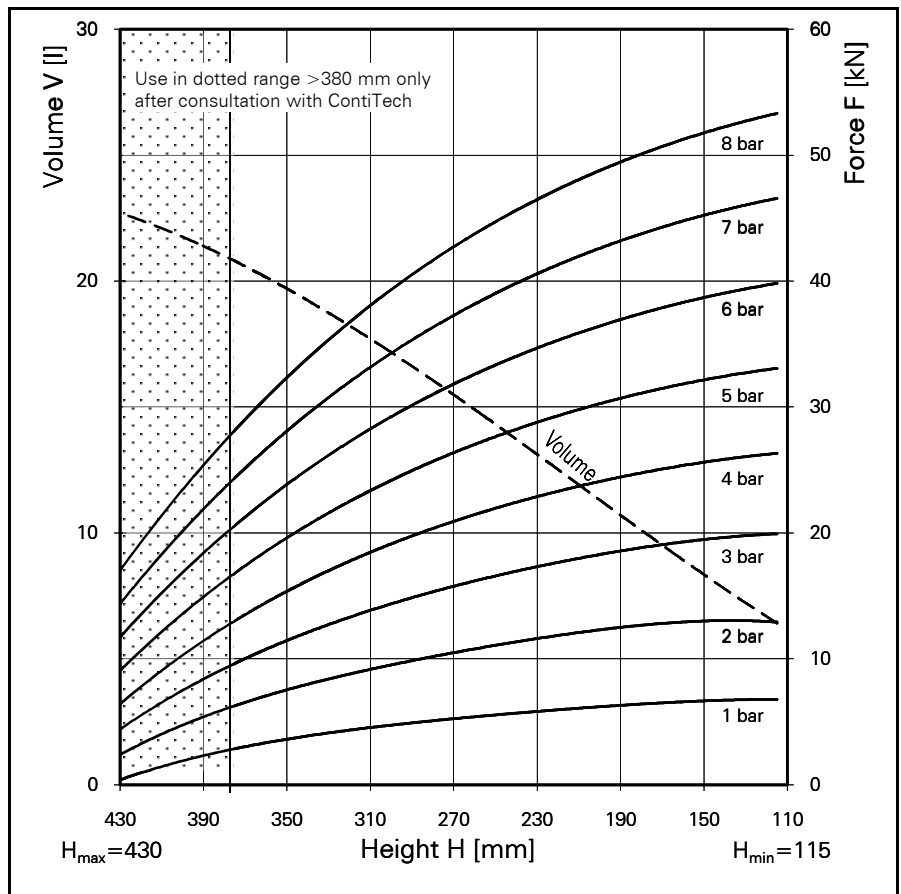


FT 430-32 CI

CONTI® Triple Convolution Air Spring



FT 430-32 CI



Force-height diagram

Purchase order data

Type	Order No.
Rubber bellows only	on request
With clamped plates G 1/4 air inlet 73 mm excentric	on request
With clamped plates G 3/4 air inlet 73 mm excentric	on request

Technical data

Min. pressure	0 bar
Return force to min. height	≤ 475 N
Overall weight with clamped plates	6.8 kg

Additional types on request

Pneumatic application - static characteristic values

Force F [kN]

Pressure p [bar]	3	4	5	6	7	8	Vol.[l]	
Height H [mm]	340	12.1	16.2	20.6	25.0	29.4	33.8	19.2
	300	14.3	19.0	24.1	29.1	34.2	39.2	17.2
	260	16.2	21.5	27.1	32.7	38.2	43.8	14.9
	220	17.7	23.4	29.4	35.4	41.4	47.4	12.5
	180	18.9	24.8	31.1	37.5	43.8	50.1	10.1
	140	19.5	25.7	32.3	38.9	45.5	52.1	7.8



Service instructions
 M 8 = 25 Nm
 G 1/4 = 25 Nm
 G 3/4 = 50 Nm

Measuring procedure: Room temperature / Force- height- data quasistatic / Dynamic data at 1 Hz

