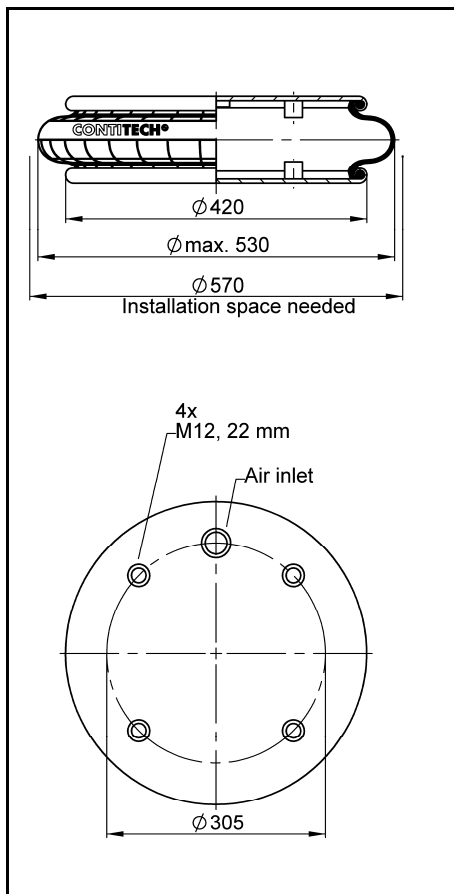
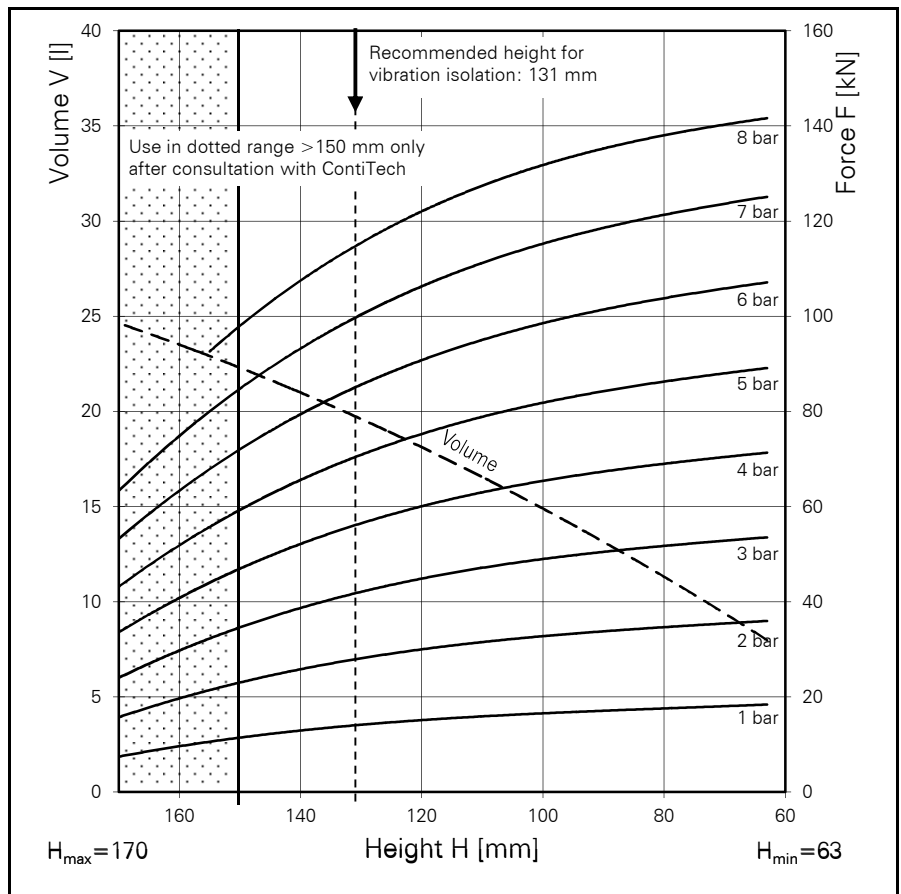


FS 1330-11 CI

CONTI® Single Convolution Air Spring



FS 1330-11 CI



Force-height diagram

Purchase order data

Type	Order No.
Rubber bellows only	61778
With clamped plates G 3/4 air inlet 152.5 mm excentrical	69828

Additional types on request

Technical data

Min. pressure	0 bar
Return force to min. height	≤ 90 N
Overall weight with clamped plates	17.0 kg

Vibration isolation - dynamic characteristic values

Design height H: recommended 131mm, minimum 111mm

Pressure p [bar]	3	4	5	6	7	8	Vol V [l]
Force (Load) [kN]	41.7	55.7	69.8	83.9	97.8	110.9	
Spring rate [N/cm]	8200	10430	12580	14735	16635	18470	
Natural frequency [Hz]	2.2	2.2	2.1	2.1	2.1	2.1	

Pneumatic application - static characteristic values

Force F [kN]

Pressure p [bar]	3	4	5	6	7	8	Vol.[l]
Height H [mm]	140	38.8	52.3	65.7	79.6	93.5	21.1
	120	44.8	59.9	75.1	90.6	106.1	18.2
	100	49.0	65.4	81.8	98.5	115.2	14.8
	80	51.8	69.1	86.4	104.0	121.5	11.2



Service instructions  
M12 = 75 Nm  
G 3/4 = 50 Nm

Measuring procedure: Room temperature / Force- height- data quasistatic / Dynamic data at 1 Hz

