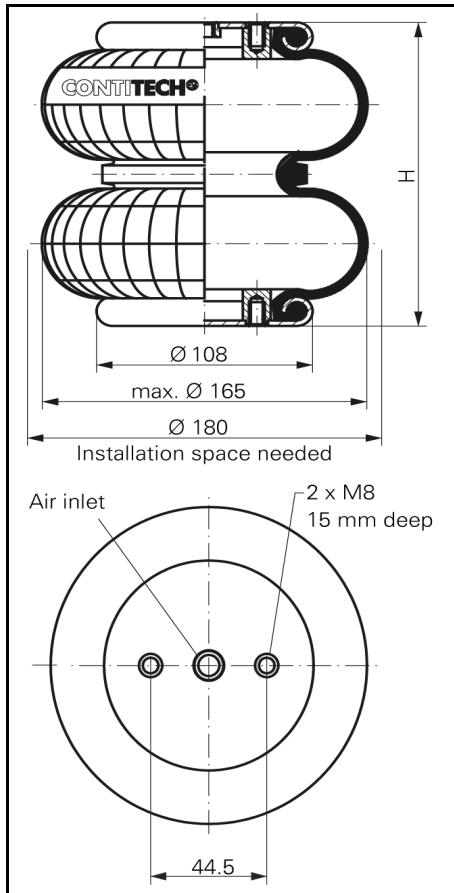
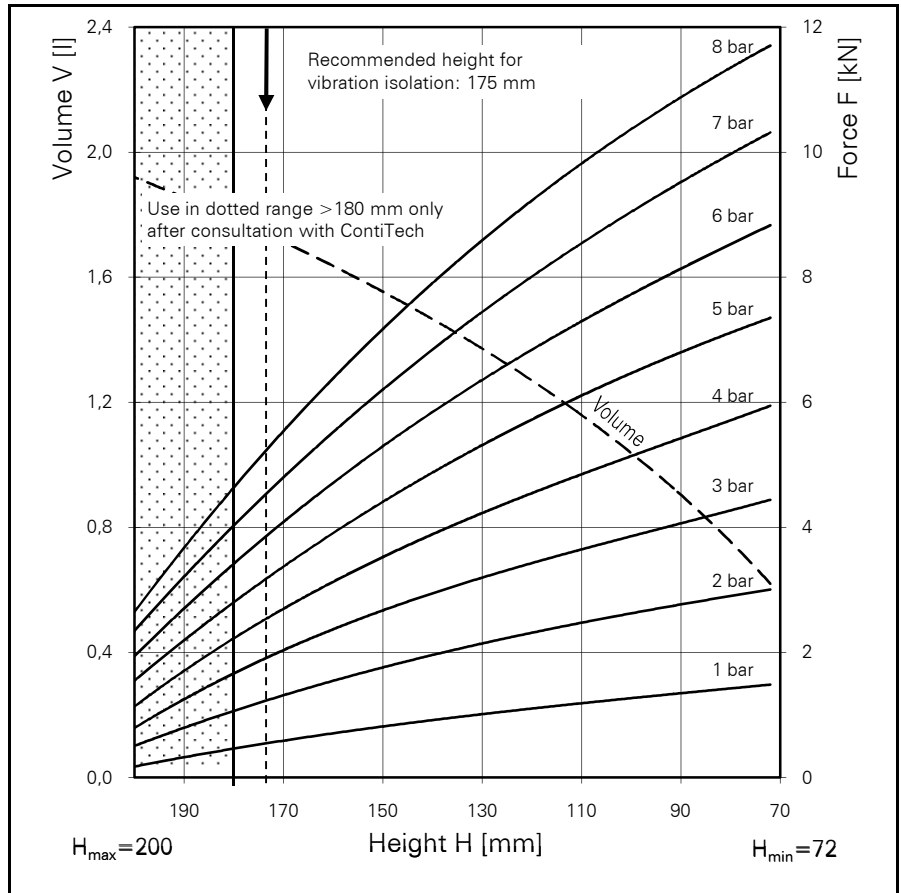


FD 70-13 CI

CONTI® Double Convolution Air Spring



FD 70-13 CI



Force-height diagram

Purchase order data

Type	Order No.
Rubber bellows only	60513
With clamped plates G 1/4 air inlet	2682 015 000
With stainless steel clamped plates G 1/4 air inlet	61756

Additional types on request

Technical data

Min. pressure	0 bar
Return force to min. height	≤ 200 N
Overall weight with clamped plates	1.5 kg

Vibration isolation - dynamic characteristic values

Design height H: recommended 175mm, minimum 160mm

Pressure p [bar]	3	4	5	6	7	8	Vol.[l]
Force (Load) [kN]	1.9	2.5	3.2	3.8	4.5	5.2	1.7
Spring rate [N/cm]	460	595	730	860	995	1125	
Natural frequency [Hz]	2.5	2.5	2.4	2.4	2.4	2.4	

Pneumatic application - static characteristic values

Force F [kN]

Pressure p [bar]	3	4	5	6	7	8	Vol.[l]	
Height H [mm]	180	1.6	2.3	2.9	3.5	4.1	4.7	1.8
	160	2.4	3.2	3.9	4.7	5.6	6.4	1.6
	140	2.9	3.9	4.8	5.8	6.8	7.8	1.5
	120	3.4	4.5	5.7	6.8	7.9	9.2	1.3
	100	3.9	5.2	6.5	7.8	9.1	10.4	1.1
	80	4.3	5.7	7.1	8.5	10.0	11.4	0.7

Service instructions
M8 = 25 Nm
G 1/4 = 25 Nm

Measuring procedure: Room temperature / Force- height- data quasistatic / Dynamic data at 1 Hz

