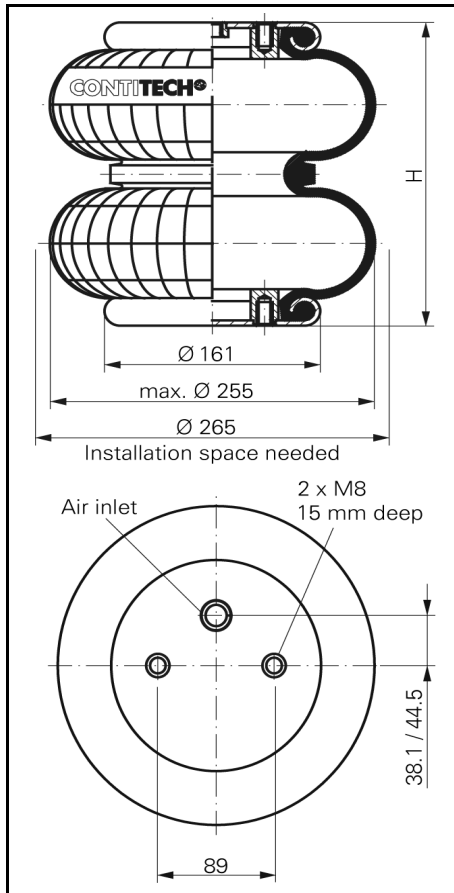
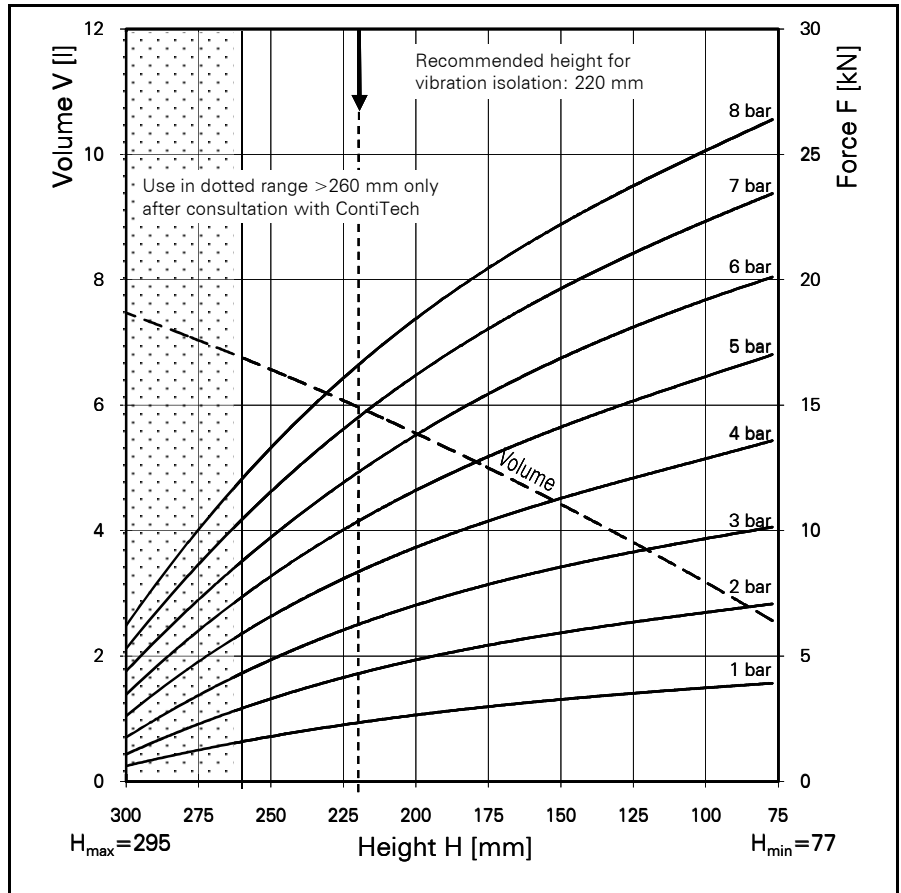


FD 200-22 CI

CONTI® Double Convolution Air Spring



FD 200-22 CI



Force-height diagram

Purchase order data

Type	Order No.
Rubber bellows only	60509
With clamped plates G 3/4 air inlet 38.1 mm excentrical	60608
With clamped plates G 1/4 air inlet 44.5 mm excentrical	61363
With clamped plates G 1/4 air inlet 44.5 mm excentrical Blind nuts M10	60936

Additional types on request



Service instructions
M8 = 25 Nm
G 1/4 = 25 Nm
G 3/4 = 50 Nm

Technical data

Min. pressure	0 bar
Return force to min. height	≤ 200 N
Overall weight with clamped plates	3.2 kg

Vibration isolation - dynamic characteristic values

Design height H: recommended 220mm, minimum 205mm

Pressure p [bar]	3	4	5	6	7	8	Vol. V [l]
Force (Load) [kN]	6.1	8.2	10.3	12.5	14.5	16.5	6.0
Spring rate [N/cm]	750	960	1110	1340	1510	1730	
Natural frequency [Hz]	1.8	1.7	1.7	1.6	1.6	1.6	

Pneumatic application - static characteristic values

Force F [kN]

Pressure p [bar]	3	4	5	6	7	8	Vol.[l]	
Height H [mm]	250	4.9	6.6	8.2	9.7	11.5	13.4	6.5
	210	6.7	8.8	11.0	13.3	15.5	17.6	5.8
	170	7.9	10.5	13.1	15.7	18.3	20.7	4.9
	130	9.1	12.0	15.0	17.8	20.7	23.4	4.0
	90	9.9	13.2	16.6	19.7	22.9	25.8	2.9

Measuring procedure: Room temperature / Force- height- data quasistatic / Dynamic data at 1 Hz